

Crestron MT-1000C MiniTouch

Handheld Wireless Touchpanel



The MT-1000C MiniTouch is a compact wireless touchpanel combining an eye-catching color touchscreen with a streamlined array of backlit hard buttons in one sleek, stylish handheld package. Its lightweight, ergonomic design affords comfortable and intuitive handheld or tabletop use with a perfect combination of tactile pushbutton control and touchpanel versatility. Stunning 16-bit color graphics and WAV file audio feedback make the MiniTouch 1000 both highly functional and fun to use for a host of AV control and automation applications.

Color Touchpanel—Isys® graphics and a brilliant 3.8" active matrix display combine to deliver much of the performance of Crestron's larger touchpanels in an incredibly portable size. Like all Crestron touchpanels, the MT-1000C is fully programmable using Crestron's VisionTools® Pro-e GUI design software, supporting 64K colors and Synapse™ image rendering for crisp, sharp anti-aliased objects and text, high-res images, and 3D effects.

Backlit "Hard" Buttons—The MT-1000C also includes 16 tactile pushbuttons designated for quick access to the most commonly used audio and video control functions. The 5-way thumbpad is optimized for easy onscreen menu navigation, and all buttons include backlighting to facilitate operation in a darkened home theater or boardroom.

Audio Feedback—Providing an additional dimension to the control experience, the MT-1000C can be loaded with fully-customizable WAV files to provide audible feedback, button clicks, and personalized voice prompts.

RF and IR Wireless—Crestron's proven RF wireless technology affords an operational range of up to 100 feet with complete freedom of movement. Long-range 418 MHz 1-way RF communication enables compatibility with any Crestron control system via the CNRFGWA-418 gateway (sold separately). The MT-1000C is also ideal for use with Crestron's MC2W Integrated Wireless Control System. IR communication is facilitated using a C2N-IRGW IR Gateway or CNXRMIIRD IR Receiver (each sold separately) along with a compatible control system or room solution box.

Li-Ion Rechargeable Batteries—A fast-charging Lithium Ion battery pack provides long-lasting wireless operation without the "memory" issues typical of other rechargeable batteries. Adjustable auto-shutoff preserves the battery for up to a week without recharging. The included docking station simplifies recharging while simultaneously providing operating power when the battery is low.

Pick-up Sensor—An integral movement sensor can be set to automatically wake the touchpanel and turn on the backlight whenever the unit is picked up, readying the unit for use without having to wait after touching the touchscreen or buttons.

- > *Stylish and ergonomic handheld design*
- > *3.8" active-matrix color touchscreen*
- > *320 x 240 resolution / 16-Bit Isys graphics*
- > *Synapse Image Rendering Algorithm*
- > *Backlit pushbuttons and 5-way thumbpad*
- > *WAV file audio feedback*
- > *Auto-shutoff and pick-up sensor*
- > *1-way RF or IR wireless communication*
- > *Programmable using Crestron VPro-e software*
- > *Includes docking station and Li-Ion battery pack*

SPECIFICATIONS

Touchscreen Display

Display Type: TFT active matrix color LCD
Size: 3.8 inch (9.65 cm) diagonal
Aspect Ratio: 4:3 QVGA
Resolution: 320 x 240 pixels
Color Depth: 16-bit, 64k colors
Illumination: Backlit fluorescent with movement sensor
Touchscreen: Resistive membrane

Buttons

VOL, CH: (2) programmable up/down toggle function buttons
MUTE, INFO, MENU, EXIT: (4) programmable function buttons
Thumbpad: 5-way programmable for onscreen menu navigation (Up/Down, Left/Right, and Select)
— —: (2) buttons, step forward or backward through touchpanel page list, or programmable
MAIN: (1) button, reverts to first touchpanel page, or programmable
All buttons backlit

Wireless

RF Transmitter: 418 MHz 1-way RF
Range: 50 – 100 feet (typical)
CNRFGWA-418 or MC2W RF Gateway required (maximum 15 touchpanels per gateway)
IR Transmitter: 38 kHz IR
Format: RC5
Range: 15 to 25 feet (typical)
C2N-IRGW IR Gateway or CNXRMIIRD IR Receiver required

Processor

206MHz RISC Microprocessor

Memory

16 MB user RAM

Graphic Engine

16-bit non-palette graphics; 65,536 colors; Synapse image rendering algorithm

Audio

WAV File: 8 & 16 bit PCM, mono & stereo, 8 – 22 kHz sampling rates

Connectors

Programming Port (on touchpanel): (1) USB port
Connects to PC for loading screen files (programming cable included)
DC 5V (on docking station): (1) DC power jack (power supply included)

LED Indicators

POWER (on docking station): (1) Red LED indicates power to unit
STATUS (on docking station): (1) Dual-color LED, red = charging, blue = fully charged

Battery

Model/Type: MT-1000C-BTP Lithium Ion rechargeable battery pack (included)
Usage per Charge: Approximately 4 hours with display and backlight on full continuous; up to 7 days inactive

Crestron MT-1000C MiniTouch Handheld Wireless Touchpanel

Power Requirements

Docking Station (MT-1000C-DS included): 2 Amps @ 5 Volts DC
Power Supply (included): 0.3 Amps @ 100-250 Volts AC 50/60Hz

Environmental

Temperature: 41° to 104°F (5° to 40°C)
Humidity: 10% to 90% RH (non-condensing)

Enclosure

Construction: High impact black/silver injection-molded case

Dimensions

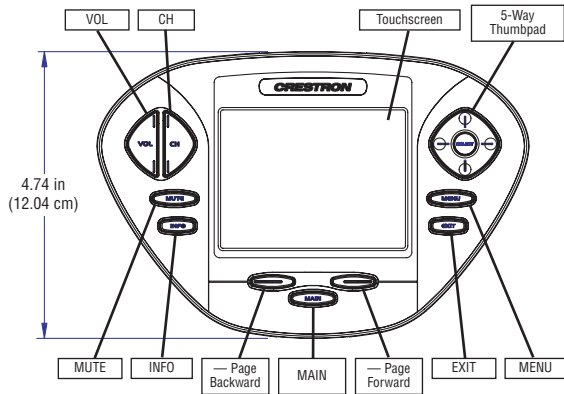
Touchpanel:
 Height: 1.23 in (3.12 cm)
 Width: 7.15 in (18.16 cm)
 Depth: 4.74 in (12.04 cm)

Docking Station:
 Height: 1.21 in (3.07 cm)
 Width: 5.16 in (13.09 cm)
 Depth: 5.25 in (13.33 cm)

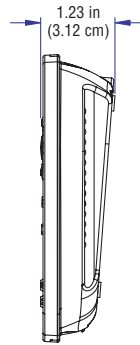
Combined height when docked: 2.07 in (5.24 cm)

Weight

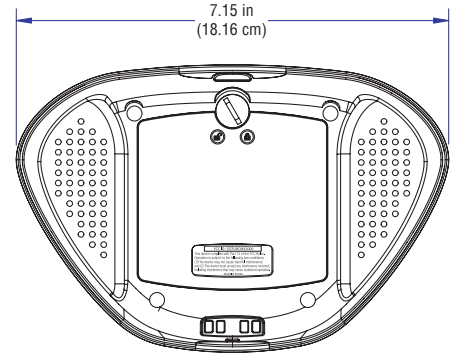
Touchpanel: 10.4 oz (0.3 kg) including battery pack
Docking Station: 5.6 oz (0.16 kg)



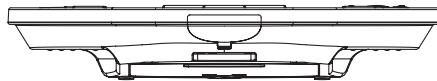
Handheld - Top View



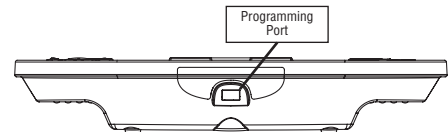
Right Side View



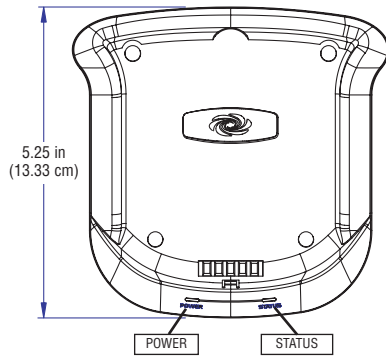
Handheld - Bottom View



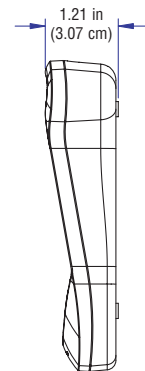
Handheld - Front View



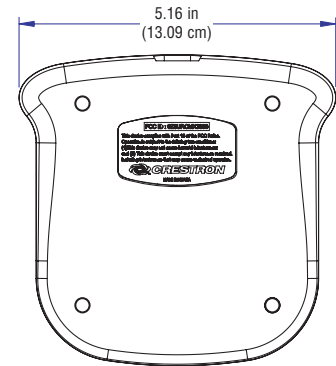
Handheld - Rear View



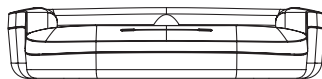
Docking Station - Top View



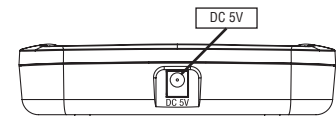
Right Side View



Docking Station - Bottom View



Docking Station - Front View



Docking Station - Rear View

INCLUDED ACCESSORIES

MT-1000C-DS

Docking Station

MT-1000-BTP

Battery Pack

AVAILABLE ACCESSORIES

CNRFGWA-418

1-way RF Gateway

MC2W

Integrated Wireless Control System

C2N-IRGW-1G

Wall Mount IR Gateway

C2N-IRGW-F

Flush Mount IR Gateway

CNXRMIRD

IR Receiver