

# Crestron SmarTouch™ ST-1700C

## 5.7" 1-Way Wireless Touchpanel



The ST-1700C is a stylish and compact 1-way wireless touchpanel featuring a brilliant 5.7" active matrix touchscreen and optional pushbuttons. Isys color graphics and long-range RF communications combine to deliver amazing touchpanel performance with complete freedom of movement.

**SmarTouch**—A SmarTouch touchpanel offers an ideal user-interface for controlling home theater, boardroom AV and a host of other applications, providing a wide-open canvas for the creation of custom control screens tailored to the user's unique needs and tastes. Incredibly compact and portable, the SmarTouch touchpanel does away with piles of remotes and cryptic control panels, affording true "one-touch" control over a broad range of complex devices and systems.

**1-Way RF Wireless**—Crestron's proven RF wireless technology affords an operational range of up to 300 feet without the line-of-sight limitations typical of cheaper IR (infrared) methods. Long-range 434 MHz 1-way RF communication enables compatibility with any Crestron control system via the CNRFGWA gateway (sold separately). The ST-1700C is also ideal for use with Crestron's MC2W Integrated Wireless Control System, providing a very cost-effective yet powerful room control solution.

**Isys**®—The powerful Isys engine produces astonishing 16-bit full-color graphics and images. Programmable logic built into the ST-1700C enables virtual button feedback and subpages, affording considerable versatility for a 1-way touchpanel to deliver the "feel" of a more expensive 2-way panel.

**Synapse™**—Crestron's exclusive Synapse Image Rendering Algorithm enables system programmers to produce amazing graphics – faster and easier. Advanced antialiasing delivers crisper, sharper objects and text. Enhanced 3D effects add new depth and style. And because Synapse is native to the touchpanel, memory requirements and upload time are substantially reduced.

**Quick-Touch Pushbuttons**—The ST-1700C includes a button bezel kit which may be installed to provide ten tactile pushbuttons for quick-touch access to frequently used commands. In standby, the pushbuttons may be operated without waking the touchscreen for extended battery life. Custom engraving of the pushbuttons may be attained using Crestron Engraver software.

**Long-Life NiMH Batteries**—A fast-charging NiMH battery pack is included to provide long-lasting wireless operation, with adjustable power management built in to preserve battery life up to 20 hours in standby.

**Docking Station/Charger**—Without removing the battery pack, the touchpanel can be placed in the ST-DSN docking station (included) for easy recharging, simultaneously providing operating power to the touchpanel. The docking station may also be used to recharge a spare ST-BTPN battery pack (sold separately). And if necessary, the touchpanel may even be powered directly using the PW-1215 power pack (included).

> 1-way RF Wireless | 300 Foot Range

> 5.7" Active Matrix Touchscreen Display | 320 x 240 Resolution

> Isys Graphics Engine | Synapse Image Rendering Algorithm

> 10 Quick-Touch Pushbuttons (optional) | Audible "Key Click"

> Long-lasting NiMH Batteries | Docking Station/Charger Included

> Lightweight Contoured Design for Tabletop and Handheld Use

## SPECIFICATIONS

### Touchscreen Display

**Display Type:** Active matrix color LCD  
**Size:** 5.7 inch (14.5 cm) diagonal  
**Resolution:** 320 x 240 pixels  
**Illumination:** Backlit fluorescent  
**Viewing Angle:** ±65° horizontal, +65°/-40° vertical  
**Touchscreen:** Resistive membrane

### Wireless

**RF Transmitter:** 433.92 (434) MHz 1-way RF  
**Range:** 300 feet max  
CNRFGWA gateway/receiver required (maximum 15 touchpanels per gateway)

### Processor

**CPU:** 32-bit Motorola ColdFire® Microprocessor  
**Processing Speed:** 63 MIPS (Dhrystone 2.1 benchmark)

### Memory

4MB flash, 8MB DRAM

### Graphic Engine

Isys engine, 16 Bit non-palette graphics, 65,536 colors, Synapse image rendering algorithm

### Buttons

(10) Replaceable engravable buttons, programmable  
Requires installation of button bezel kit, included

### Connectors

**Power:** (1) 12 Volt DC power jack (PW-1215 power supply included)

**Cresnet Upload:** (1) 3.5 mm mini TRS phone jack  
Connects to Cresnet control network while uploading only

### Power Requirements

**Battery:** ST-BTPN NiMH battery pack, 4.8 Volt, 4100 mAh (included)  
**Usage per Charge:** 3 hours continuous use at full brightness, 20 hours in standby  
**Charging Time:** 2.7 to 6 hours (depending upon use while charging)  
**Docking Station/Charger:** ST-DSN (included)  
**Power Supply:** 18 Watts (1.5 Amps @ 12 Volts DC) PW-1215 power supply included

### Environmental

**Temperature:** 50° to 113°F (10° to 45°C)  
**Humidity:** 10% to 90% RH (non-condensing)

### Enclosure

**Construction:** High impact black/silver injection-molded case

# Crestron SmarTouch™ ST-1700C 5.7" 1-Way Wireless Touchpanel

## Dimensions

**Height:** 3.85 in (9.78 cm)  
**Width:** 8.75 in (22.23 cm)  
**Depth:** 5.51 in (14.00 cm)

## Weight

1.85 lbs (0.84 kg) – not including battery or docking station

## SPECIFICATIONS for ST-DSN Docking Station (included with ST-1700C):

### Connectors

**Power:** (1) 12 Volt DC power jack (PW-1215 power supply included)

### LED Indicators

**Power (Logo):** (green) Indicates 12 Volts DC from power supply  
**CHG:** (red) Indicates battery charging status  
**RDY:** (green) Indicates battery is fully charged

### Power Requirements

1500 mA @ 12 Volts DC (PW-1215 power supply included)

### Environmental

**Temperature:** 32° to 104°F (0° to 40°C)  
**Humidity:** 10% to 90% RH (non-condensing)

### Enclosure

High impact black injection-molded case

## Dimensions

**Height:** 0.94 in (2.38 cm)  
**Width:** 6.72 in (17.06 cm)  
**Depth:** 6.77 in (17.18 cm)

## Weight

15.8 ozs (0.49 kg) – not including power supply

## INTERNATIONAL VERSION (230 VAC)

### STI-1700C

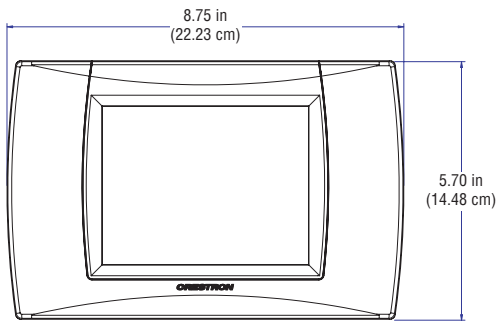
All the features and specifications of the ST-1700C except:

### Power Requirements

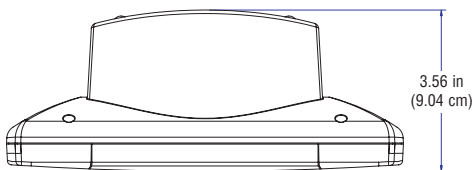
PWI-1215 power supply included



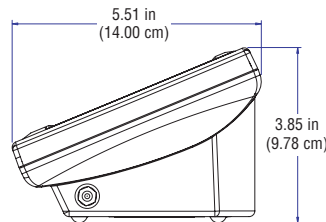
ST-1700C  
 Shown with  
 Quick-Touch Buttons  
 (engraving not included)



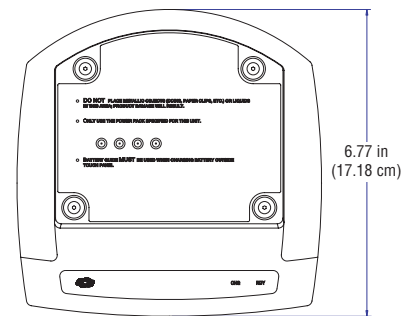
ST-1700C Touchpanel – Top View (face up)



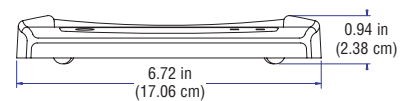
ST-1700C Touchpanel – Rear View (face down)



ST-1700C Touchpanel  
 Right Side View



ST-DSN Docking Station – Top View



ST-DSN Docking Station – Front View

## AVAILABLE ACCESSORIES



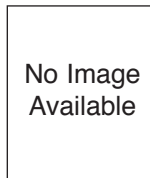
**CNRFGWA**  
 1-Way 434 MHz RF Gateway



**ST-BTPN**  
 Battery Pack  
 (1 included)



**ST(I)-DSN**  
 Docking Station  
 (1 included)



**PW(I)-1215**  
 Power Supply  
 (1 included)



**1700C-BTNB**  
 Set of 10 Black Button Caps  
 with Engraving



**1700C-BTNS**  
 Set of 10 Silver Button Caps  
 with Engraving



**ST-PK**  
 Programming Cable  
 Kit