

Crestron Isys® TPS-4L

3.6" Wall Mount Touchpanel



The TPS-4L compact wall mount touchpanel delivers amazing touchpanel performance at an incredibly low cost. In the space of a common light switch, the TPS-4L packs a bright, high-contrast 3.6" active matrix color touchscreen with astonishing 16-bit Isys color graphics and 10 backlit pushbuttons.

Crestron touchpanels offer an ideal user-interface for controlling everything from audio distribution to complete home automation, providing a wide-open canvas for the creation of custom control screens perfectly tailored to the needs of the end-user. Touchpanels do away with piles of remote controls, cryptic front panels, and cluttered wall switches, affording true "one-touch" control over a broad range of complex devices and systems.

Isys®—Isys power and beauty are infused throughout Crestron's entire touchpanel lineup. Under the hood, the TPS-4L offers vibrant 16-bit color depth to produce incredible 3D graphics, high-res images, dynamic text and graphics, full-motion animations and multimode objects, all with astonishing speed.

Synapse™—Crestron's exclusive Synapse Image Rendering Algorithm enables system programmers to produce amazing graphics - faster and easier. Advanced antialiasing delivers crisper, sharper objects and text. Enhanced 3D effects add new depth and style. And because Synapse is native to the touchpanel, memory requirements and upload time are substantially reduced.

Tactile Pushbuttons—Ten programmable "hard" buttons are included for quick pushbutton access to commonly used functions. Translucent white backlit buttons and a custom engravable faceplate simplify operation while providing an alluring appearance.

Audio Feedback—Customized WAV files can be loaded on the touchpanel to add dimension to the touchscreen graphics and pushbuttons with personalized sounds, button feedback, and voice prompts.

High-Speed Connectivity—Both Cresnet and high-speed Ethernet are standard on the TPS-4L, providing for easy network integration and seamless communications with Crestron control systems.

Versatile Flush-Mount Design—The TPS-4L is designed for easy flush-mount installation in a wall, lectern or similar flat surface. Mounting clips furnished with the TPS-4L facilitate a clean installation in post-construction drywall and many furniture applications. Additional mounting options are available.

> 3.6" active matrix color touchscreen display

> 16-bit Isys graphics | 320 x 240 resolution

> Synapse Image Rendering Algorithm

> 10 white backlit pushbuttons and engravable faceplate

> WAV file audio feedback

> Ethernet and Cresnet communications

> Stylish flush wall mount design

AVAILABLE MODELS

TPS-4LA Isys 3.6" Wall Mount Touchpanel, Almond

TPS-4LB Isys 3.6" Wall Mount Touchpanel, Black

TPS-4LW Isys 3.6" Wall Mount Touchpanel, White

SPECIFICATIONS

Touchscreen Display

Display Type: TFT Active matrix color LCD
Size: 3.6 inch (9.1 cm) diagonal
Aspect Ratio: 4:3 QVGA
Resolution: 320 x 240 pixels
Brightness: 300 nits (cd/m²)
Contrast: 300:1
Color Depth: 16-bit, 64k colors
Illumination: Edgelit LED
Viewing Angle: ±80° horizontal, +80°/-50° vertical
Touchscreen: Resistive membrane

Buttons

Functions: (10) Translucent white backlit pushbuttons, programmable
Reset: (1) Miniature pushbutton behind faceplate, used for reset touchpanel

Processor

CPU: 32-bit Freescale ColdFire® Microprocessor
Processing Speed: 96 MIPS (Dhrystone 2.1 benchmark)

Memory

DRAM: 16 MB
Flash: 8 MB

Graphic Engine

Isys engine; 16-bit non-palette graphics; 65,536 colors; Synapse image rendering algorithm; multi-mode objects; dynamic graphics; full-motion (60 fps) animation; transition effects

Ethernet

10BaseT/100BaseTX, auto-switching, auto-negotiating, full/half duplex, TCP/IP, UDP/IP, CIP, IEEE 802.3U compliant

Audio

Hardware Features: Built-in amplified speaker (rear), internal volume control
Audio Feedback (WAV): 8-bit PCM, mono, 8 kHz sampling rate
Amplification: 1 Watt for built-in speaker

Connectors

NET: (1) 4-pin 3.5mm detachable terminal block, Cresnet slave port
Connects to Cresnet control network
LAN: (1) 8-wire RJ45 with 2 LED indicators, 10/100BaseT Ethernet port
Green LED indicates link status, Yellow LED indicates Ethernet activity

Power Requirements

Cresnet Power Usage: 5 Watts (0.21 Amp @ 24 Volts DC)

Environmental

Temperature: 41° to 104°F (0° to 40°C)
Humidity: 10% to 90% RH (non-condensing)

Crestron Isys® TPS-4L 3.6" Wall Mount Touchpanel

Enclosure

Construction: Injection-molded plastic, flush-mountable using clips provided (additional mounting kits available)

Faceplate: Injection-molded plastic; available almond, black, or white

Dimensions

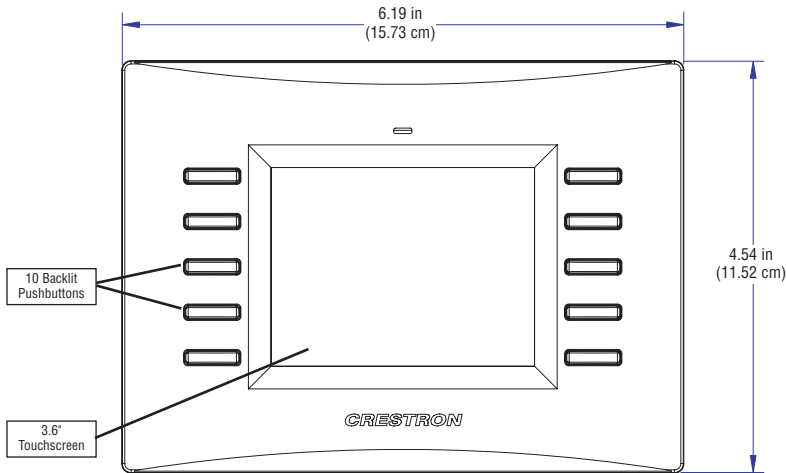
Height: 4.54 in (11.52 cm)

Width: 6.19 in (15.73 cm)

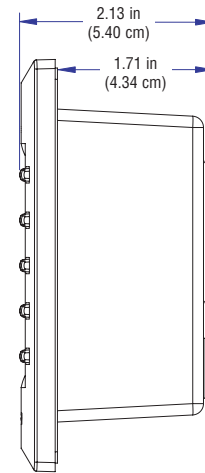
Depth: 2.13 in (5.40 cm)

Weight

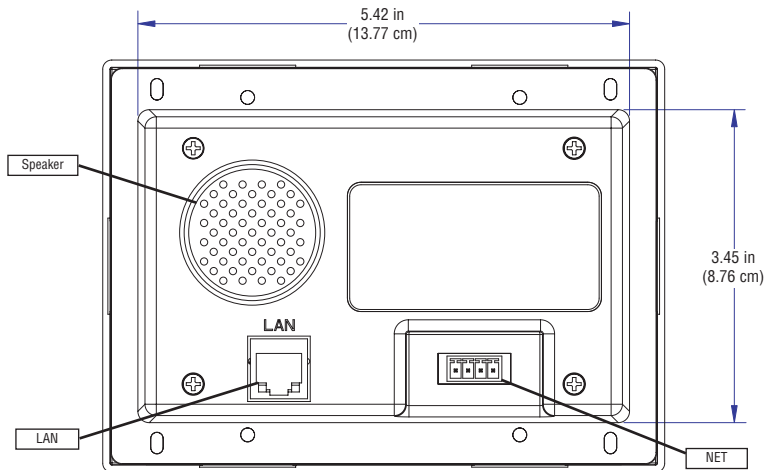
15.0 oz (0.43 kg)



TPS-4L – Front View



TPS-4L – Side View



TPS-4L – Rear View

AVAILABLE ACCESSORIES

TPS/TPMC-4L-FP

Engravable Faceplate

BB-4L

Pre-construction Wall Mount Back Box

PMK-4L

Pre-construction Wall Mount Kit

TMK-4L

Trim Ring Only

MMK-4L

Mud Ring Only

WMKT-4L

Post-construction Wall Mount Kit
w/Trim Ring

WMKM-4L

Post-construction Wall Mount Kit
w/Mud Ring

WMKB-4L

Replacement Wall Mount Clips